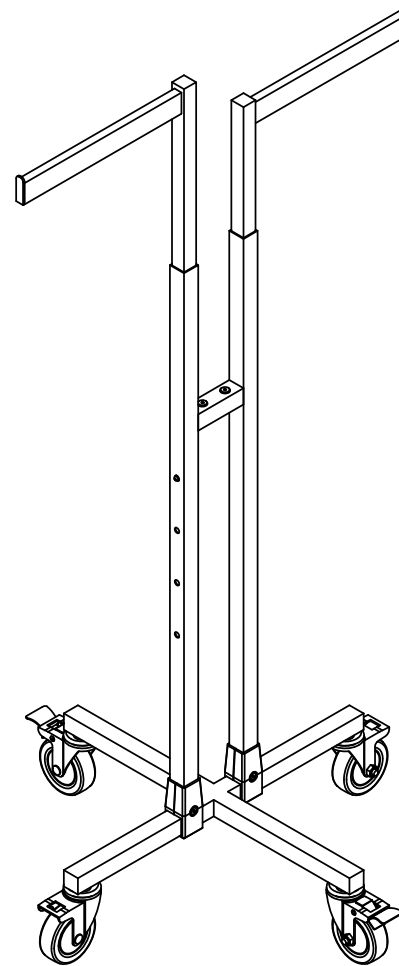




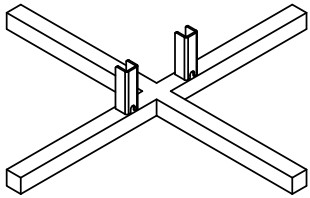
**BURNSIDE**

ASSEMBLY INSTRUCTIONS

TEE STAND :: 292/299 - T-STAND



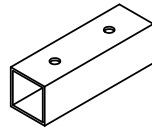
### PART LIST:



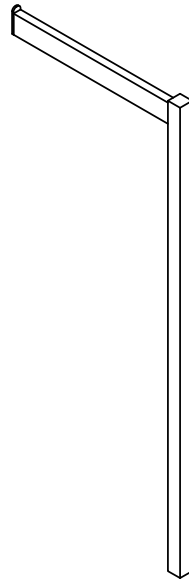
1X. CROSS BOTTOM



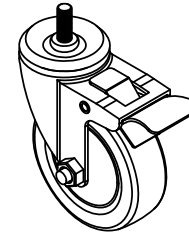
2X. UPRIGHT



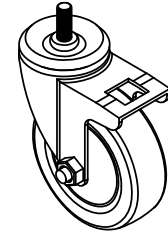
1X. CROSS TUBE



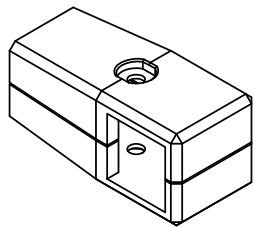
2X. ARM



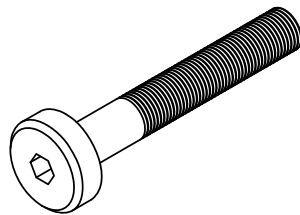
2X. STEM CASTER  
(3/8"-16UNC, 4" DIA. WHEEL  
W/ BRAKE )



2X. STEM CASTER  
(3/8"-16UNC, 4" DIA. WHEEL  
NON-BRAKE )



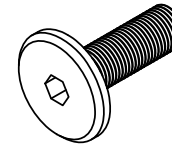
2X. SET CONNECTOR



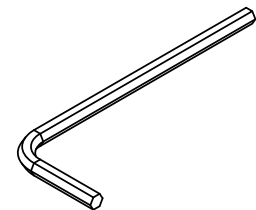
2X. JOINT CONNECTOR BOLT  
1/4"-20 X 1 5/8"



2X. HEX NUT  
1/4"-20UNC

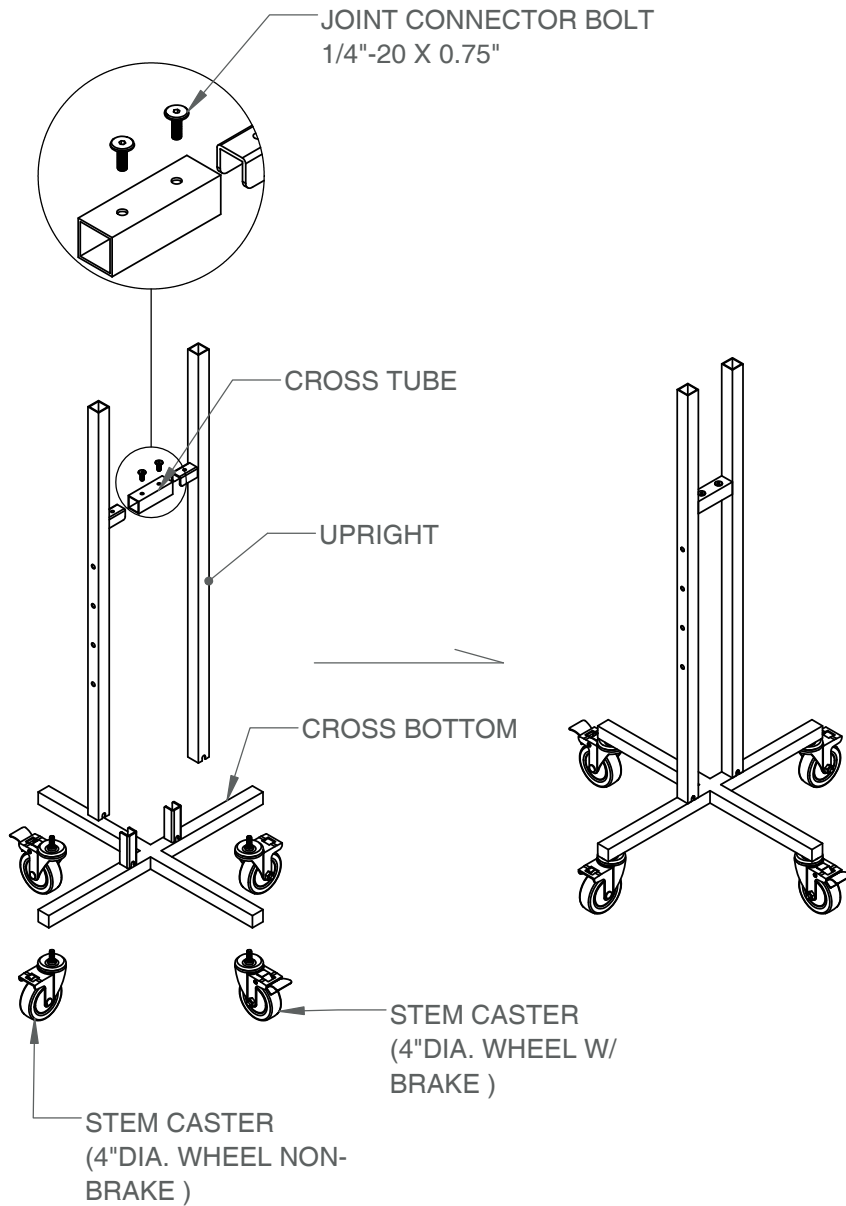


2X. JOINT CONNECTOR BOLT  
1/4"-20 X 0.75"



1X. L-KEY FOR 1/4"-20

### STEP 1:



### STEP 2:

