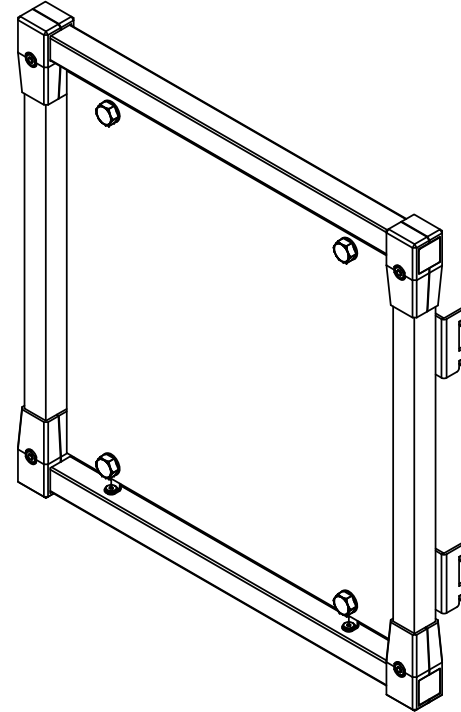




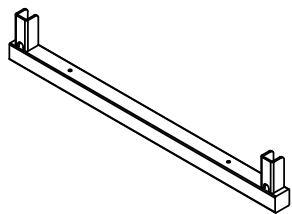
BURNSIDE

ASSEMBLY INSTRUCTIONS

GRAPHIC FRAME - 24X24 :: 292/299 - SIGN - GF - G24



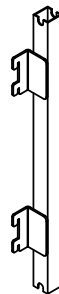
PART LIST:



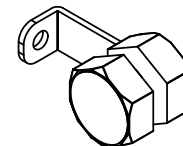
2X. CROSS BAR



1X. VERTICAL BAR - LEFT



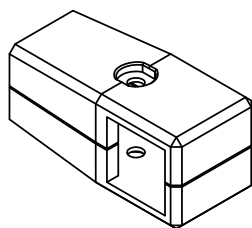
1X. VERTICAL BAR -RIGHT



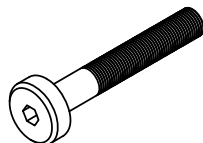
4X. SET PANEL MOUNT



8X. FLAT NYLON WASHER FOR #10



4X. SET CONNECTOR



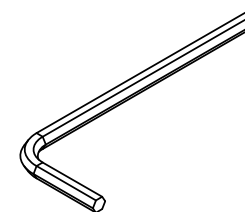
4X. JOINT CONNECTOR BOLT 1/4"-20 X 1 5/8"



4X. HEX NUT 1/4"-20UNC

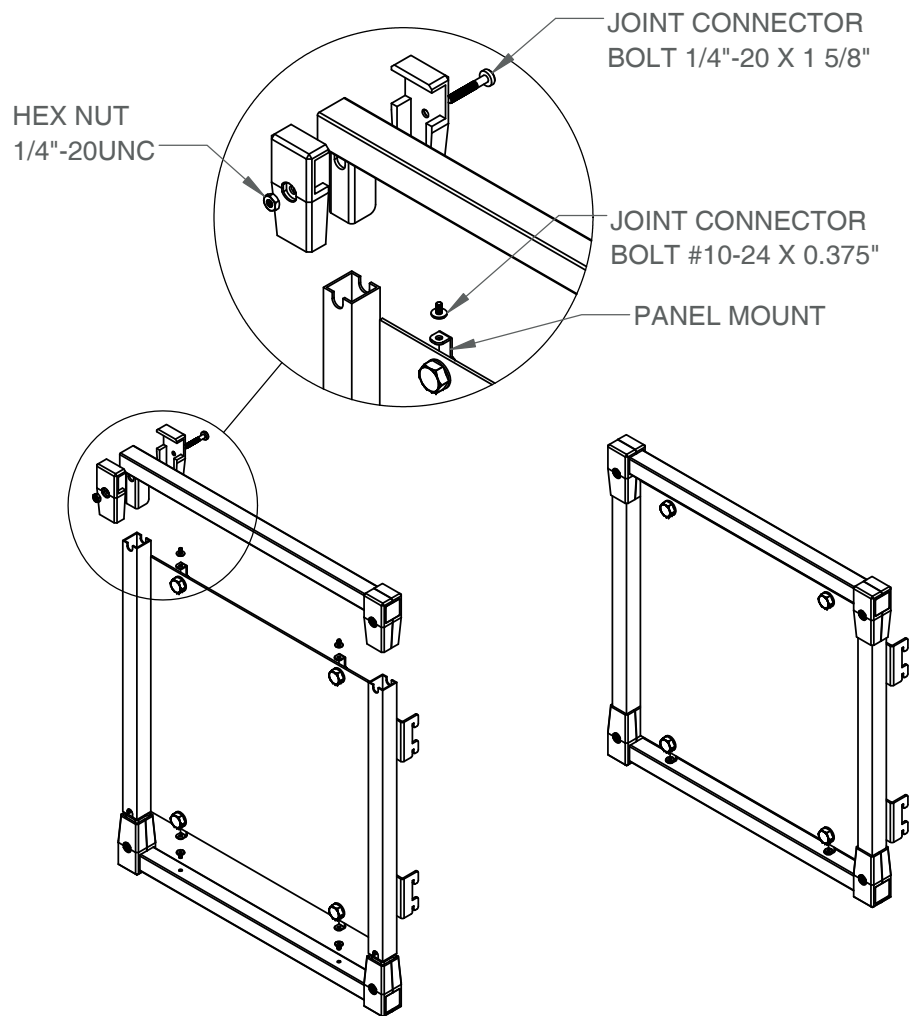


4X. JOINT CONNECTOR BOLT #10-24 X 0.375"



1X. L-KEY FOR #10
1X. L-KEY FOR 1/4"

STEP 1:



STEP 2:

