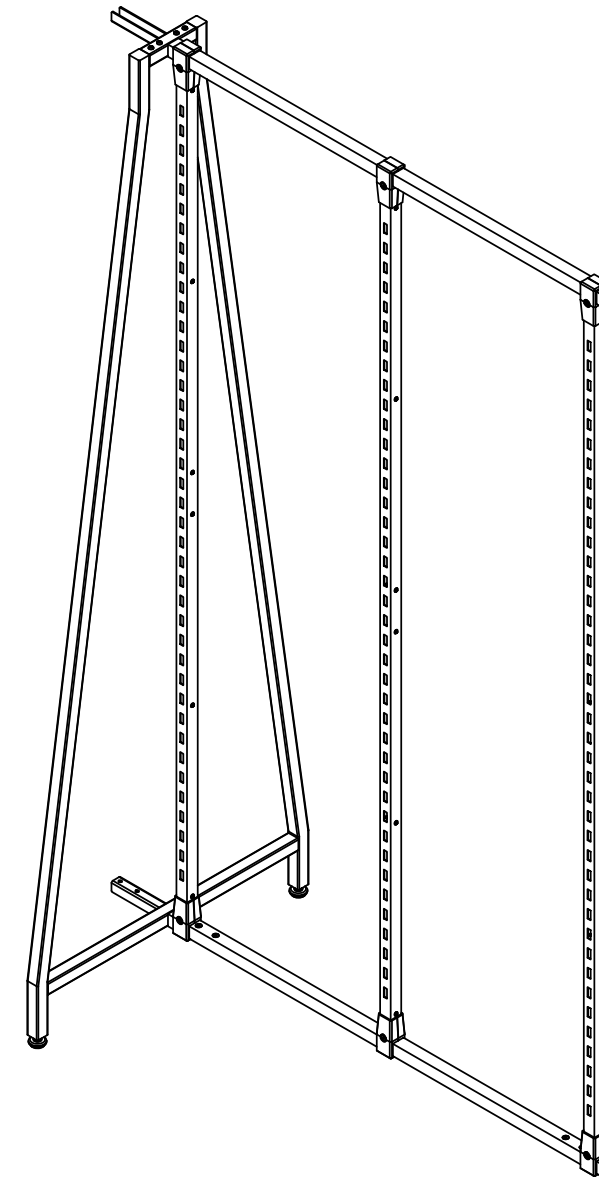
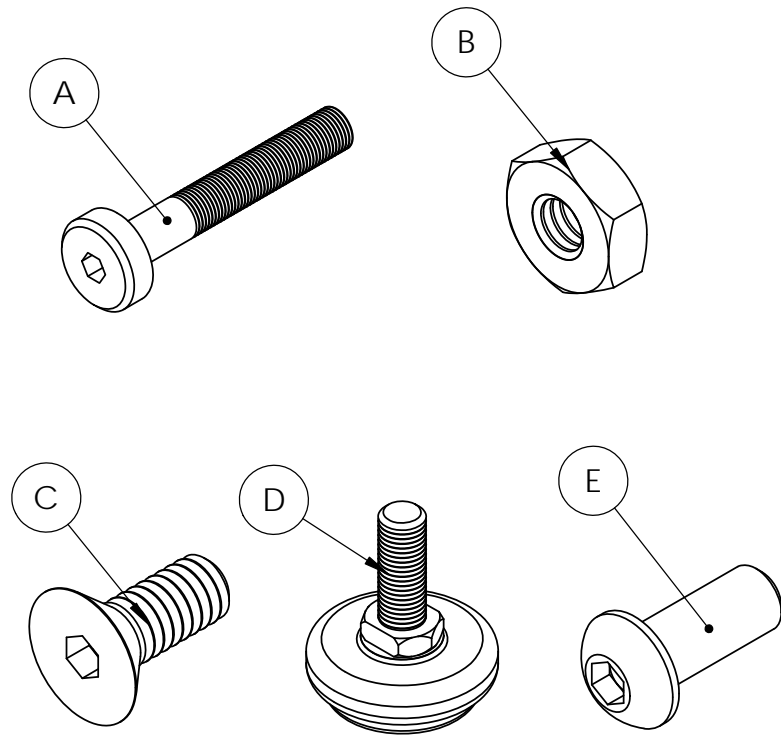


ASSEMBLY INSTRUCTIONS - 292 - DF - ADD - (D-FRAME - ADDON)

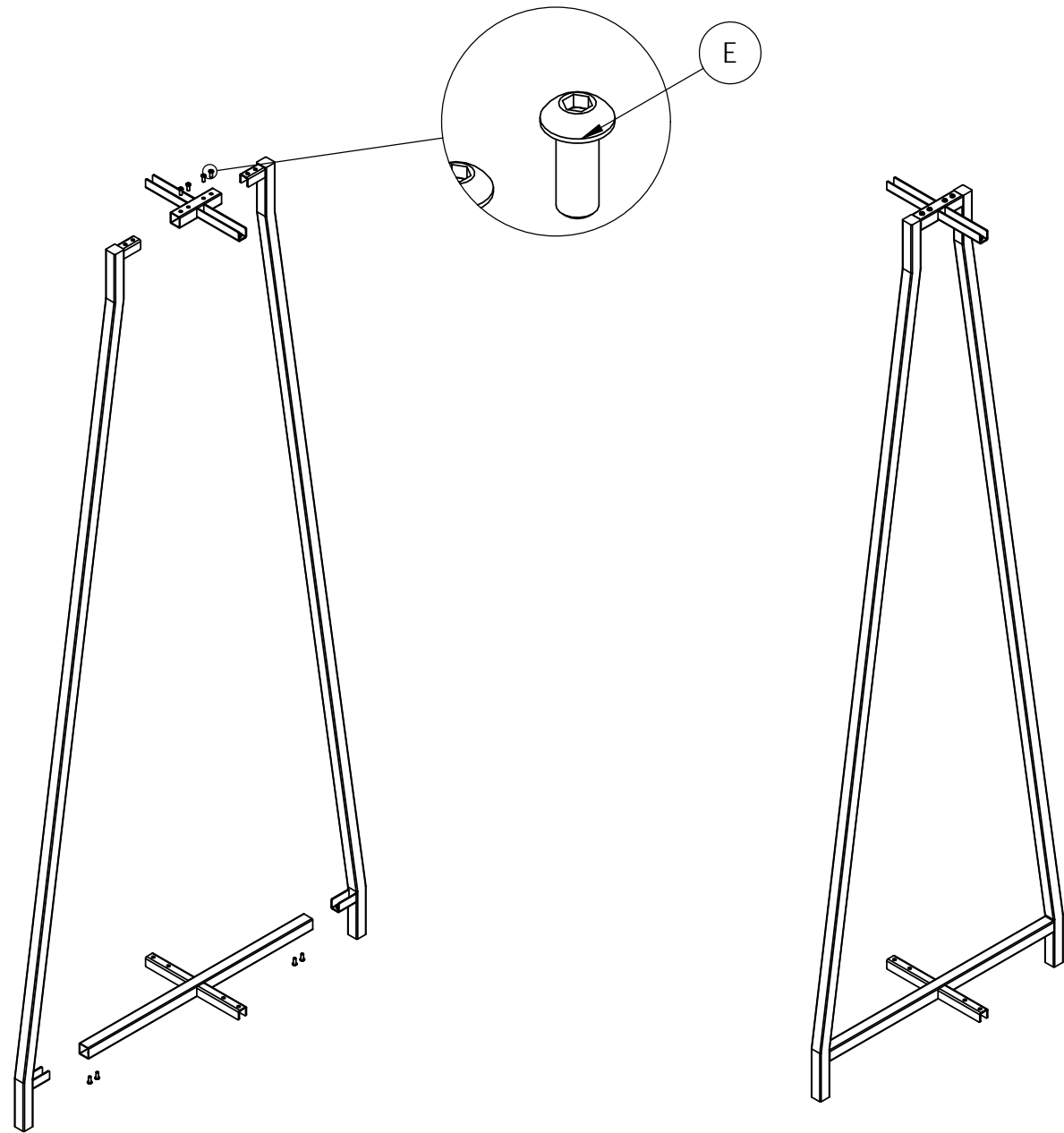


HARDWARE LIST:

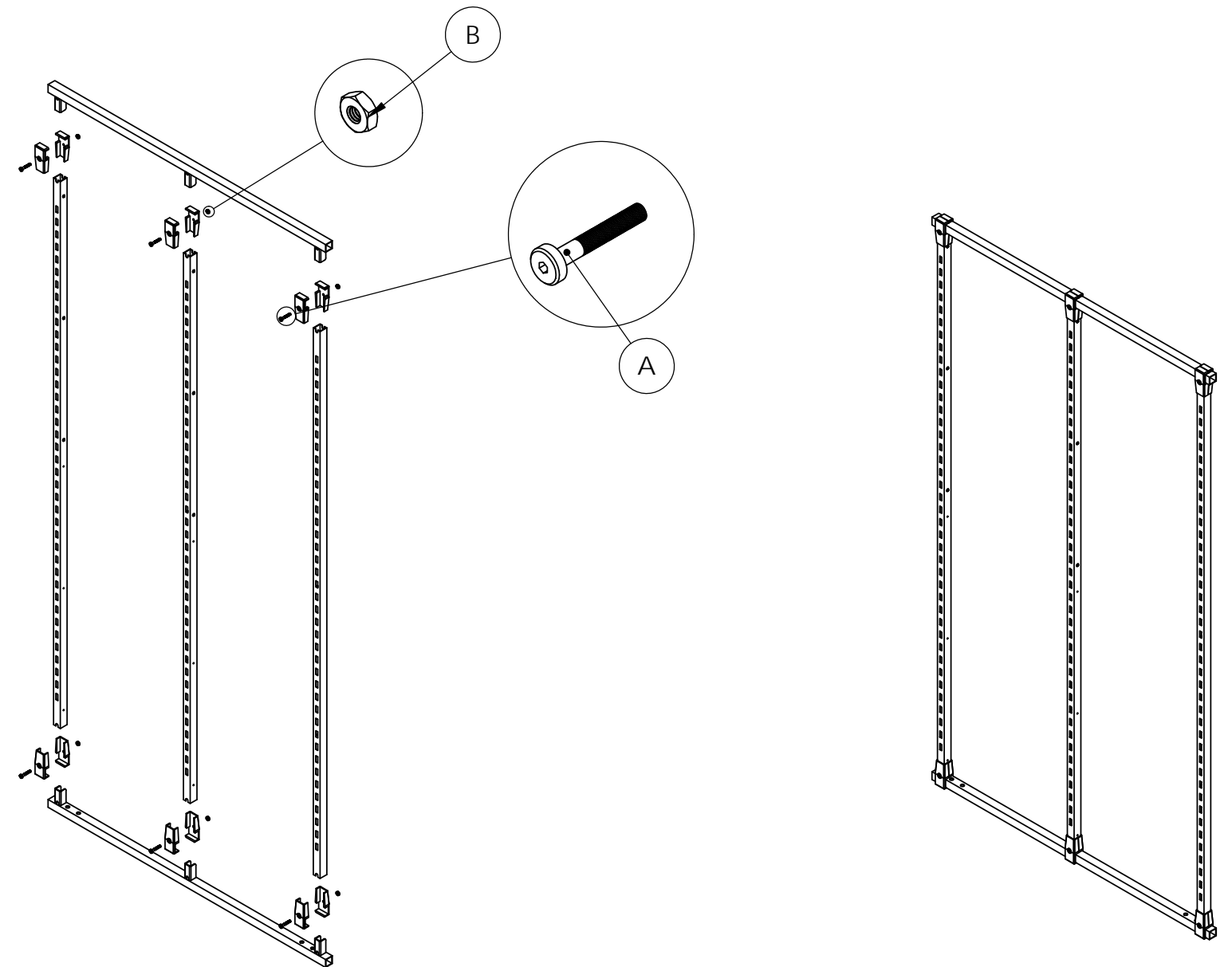
	DESCRIPTION	QTY.
A	JOINT CONNECTOR BOLT (1/4" - 20 TPI X 1 5/8")	6
B	HEX NUT 1/4"-20 TPI	6
C	SOCKET COUNTERSUNK HEAD SCREW 1/4"-20 X 0.625"	8
D	3/8"-16TPI. LEVELER	2
E	SBHC SCREW 1/4-20 X 0.625"	8

ASSEMBLY INSTRUCTIONS - 292 - DF - ADD - (D-FRAME - ADDON)

STEP1:



STEP2:



ASSEMBLY INSTRUCTIONS - 292 - DF - ADD - (D-FRAME - ADDON)

STEP3:

