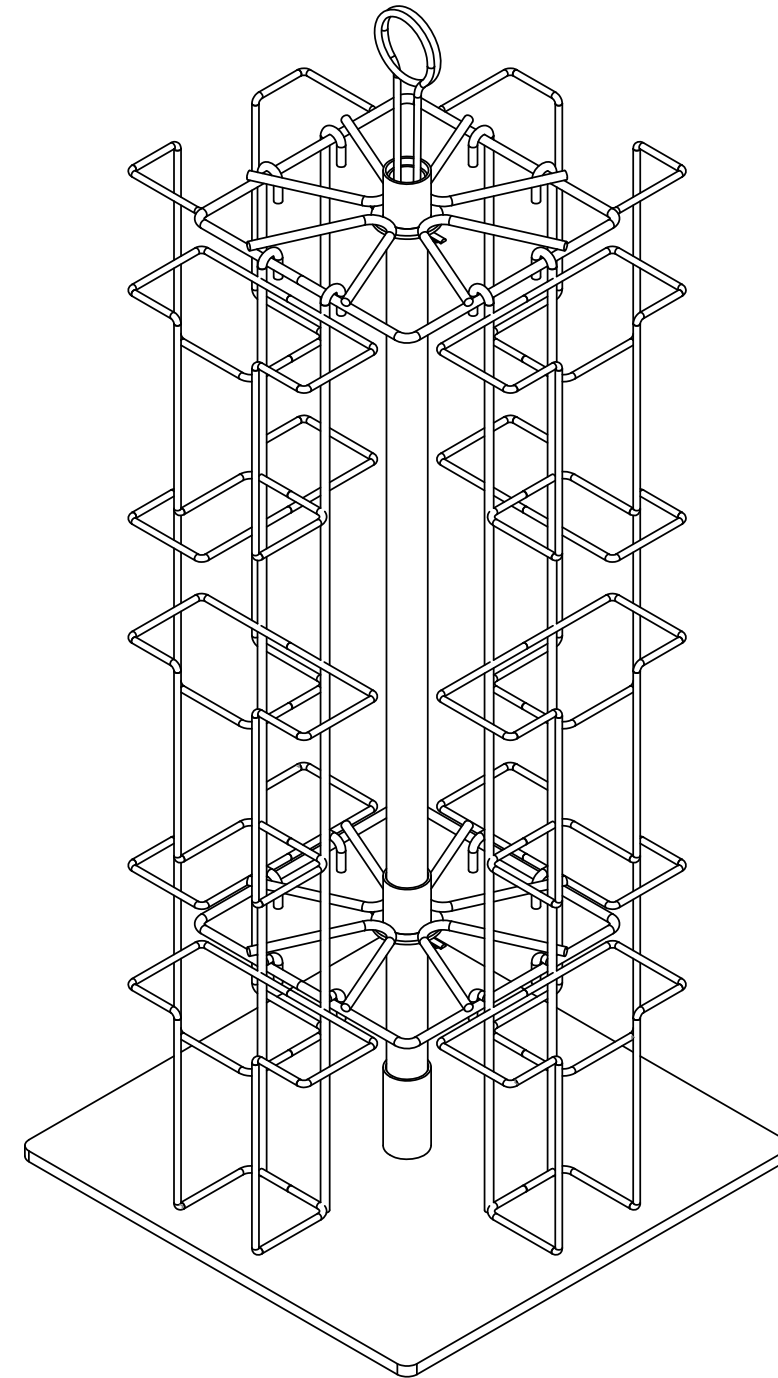
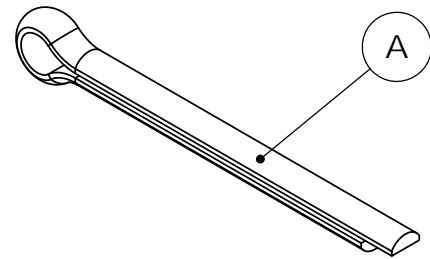


ASSEMBLY INSTRUCTIONS - 289 - 777 - (COUNTERTOP CARD RACK - STEEL BASE)

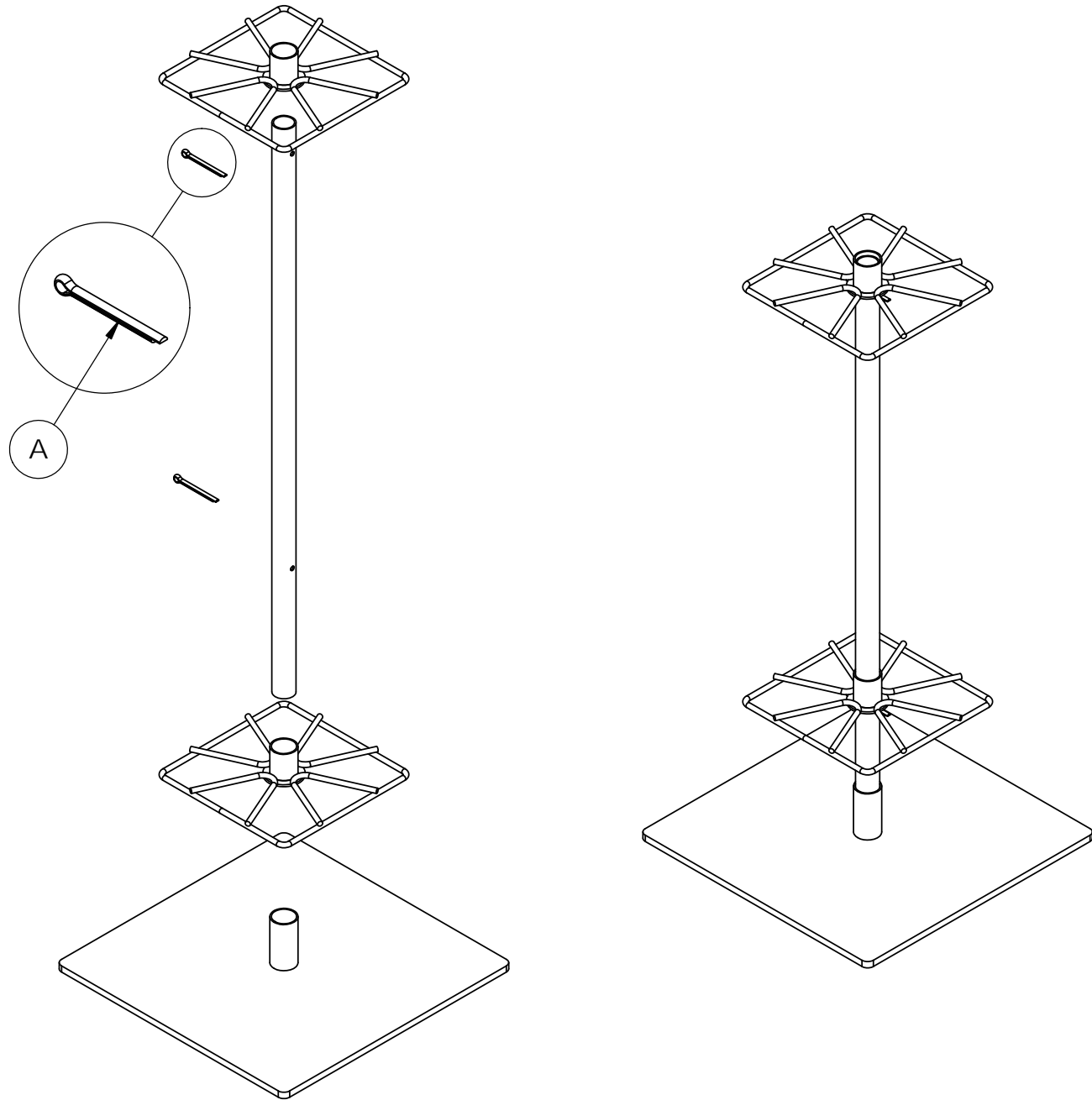


HARDWARE LIST:

	DESCRIPTION	QTY.
A	COTTER PIN - .147" DIA. X 1 1/4"	2

ASSEMBLY INSTRUCTIONS - 289 - 777 - (COUNTERTOP CARD RACK - STEEL BASE)

STEP1:



STEP2:

